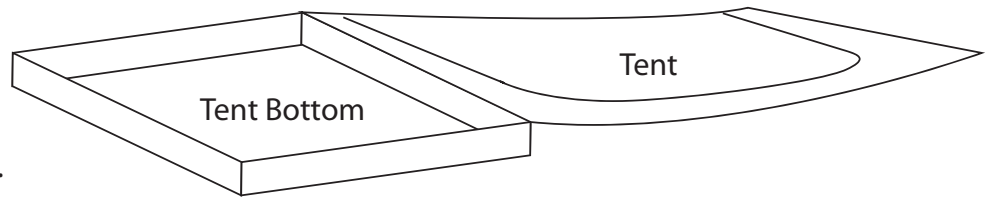
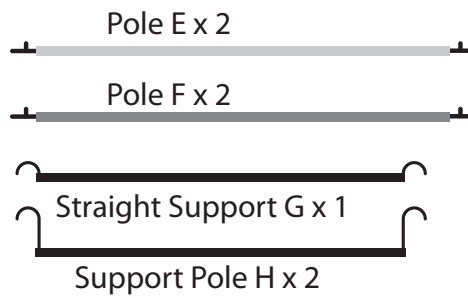
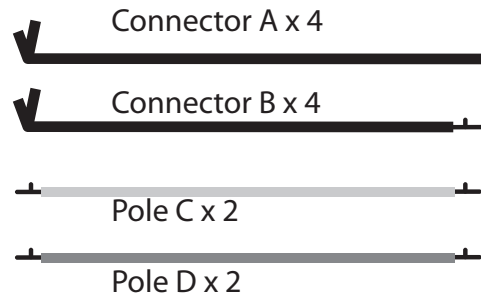


Grow Tent Assembly Instructions

1851 EW-32x32x63 Mylar Hydro Shanty

Parts:



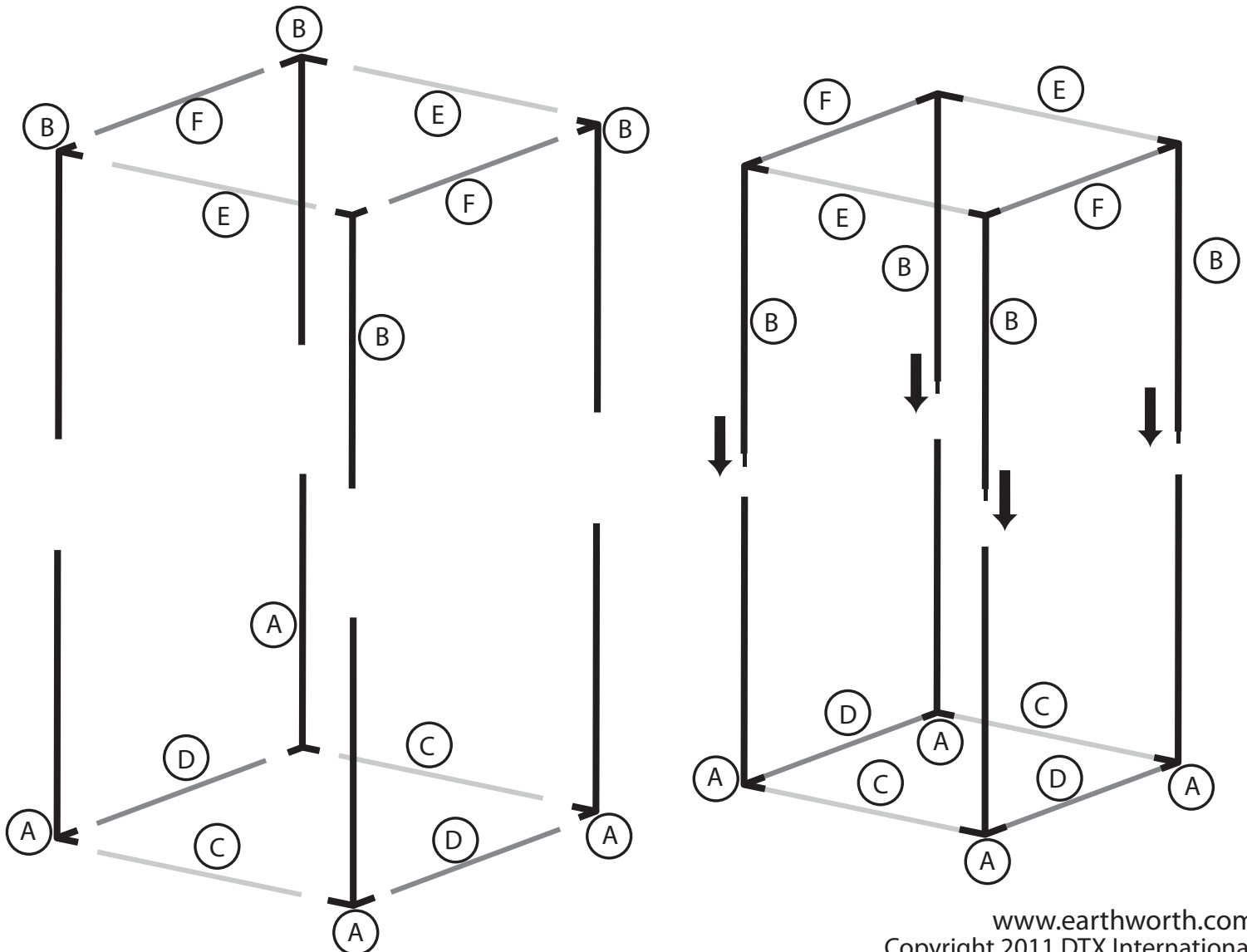
1 - Lay tent canvas flat on floor and unzip all zippers as shown.

2 - Assemble top and bottom sections of the tent frame as shown below.

Layout a square with poles C and D opposite each other and insert onto connectors A as shown.

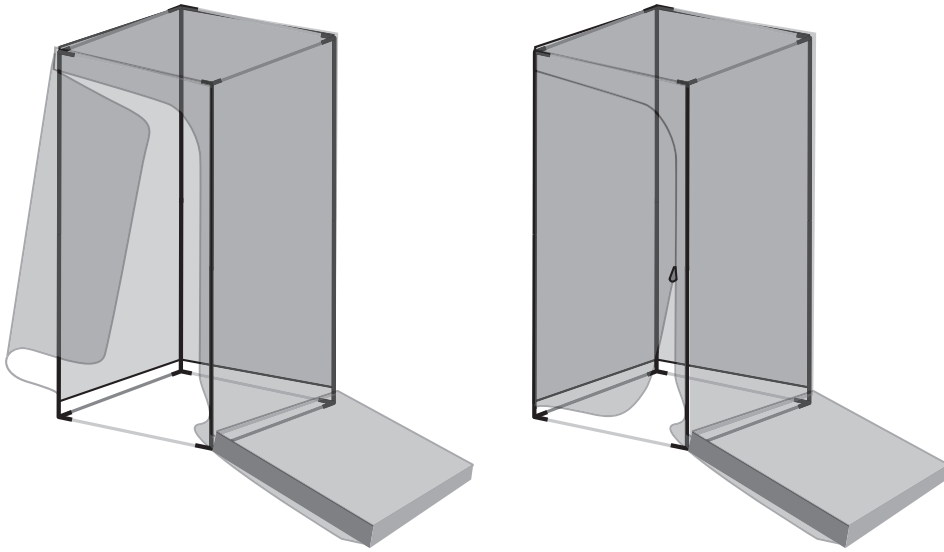
Layout a square with poles E and F opposite each other and insert onto connectors B as shown.

3 - Connect the upper and lower tent frames to each other as shown, you may require assistance or need to lay the frame halves on floor.

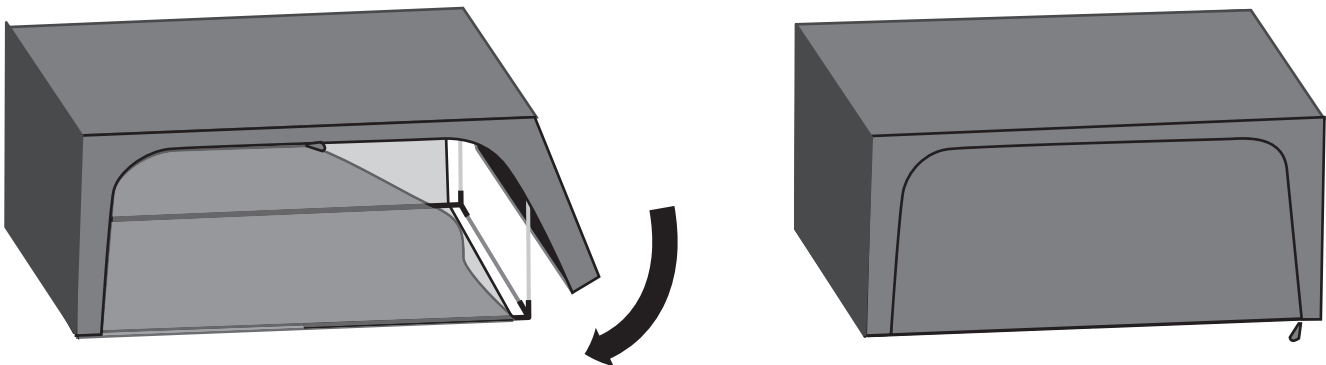


Instructions - continued

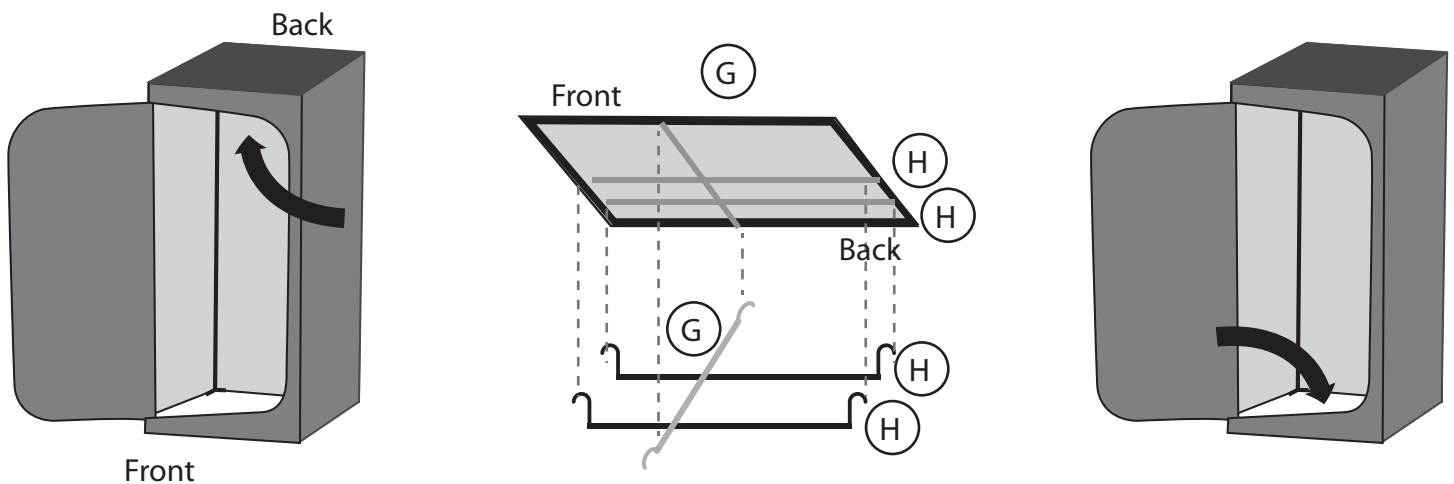
- 4 - Drape upper portion of the unzipped tent canvas onto the frame.
- 5 - Zip the tent halfway closed to partially secure the tent from slipping.



- 6 - Lay the semi-assembled grow tent on its side.
- 7 - Fold down the bottom panel until it covers the bottom section of the tent frame.
- 8 - Close the zipper all the way to align all corners of the tent properly.



- 9 - Return the assembled tent to an upright position and open the zipper fully to install supports.
G Straight support is to be installed from front to back, H supports span the width of the top.



- 10 - Insert liner tray into the bottom of the tent fastening the ties around the connector poles.
- 11 - Assembly is now complete. Close zipper, make any small adjustments needed to ensure the best fit on the frame and your grow tent is ready to use!